



Autovalet MK

autovalet

Replaces attendants with 24/7 uniform issue service

The **Autovalet MK** system is widely used by hotels and casinos to distribute uniforms to employees entirely automatically.

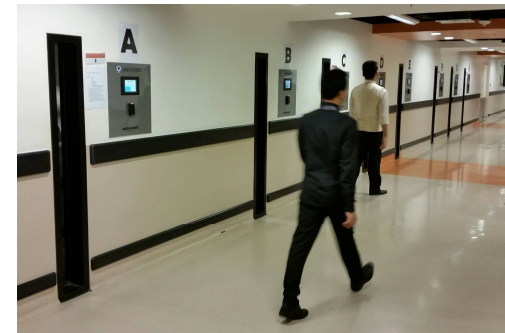
Uniforms are arranged on static racks with an overhead pick-off arm travelling to collect the requested items.

While standard conveyors move every garment with each issue, the **MK** moves only the requested garments resulting in a faster service and less wear.

- Suitable for properties with 400+ employees
- No labor is required to issue uniforms
- All uniforms are kept secure and out of reach
- MK can be loaded while in use
- Soiled items are returned through RFID bins
- One slot per user
- Managed by Dress Code
- No door to open – fixed slot for retrieval
- Integrated storage racking
- No air compressor required
- Floor-mounted



Stored uniforms remain static while an overhead pick-off arm retrieves the requested set

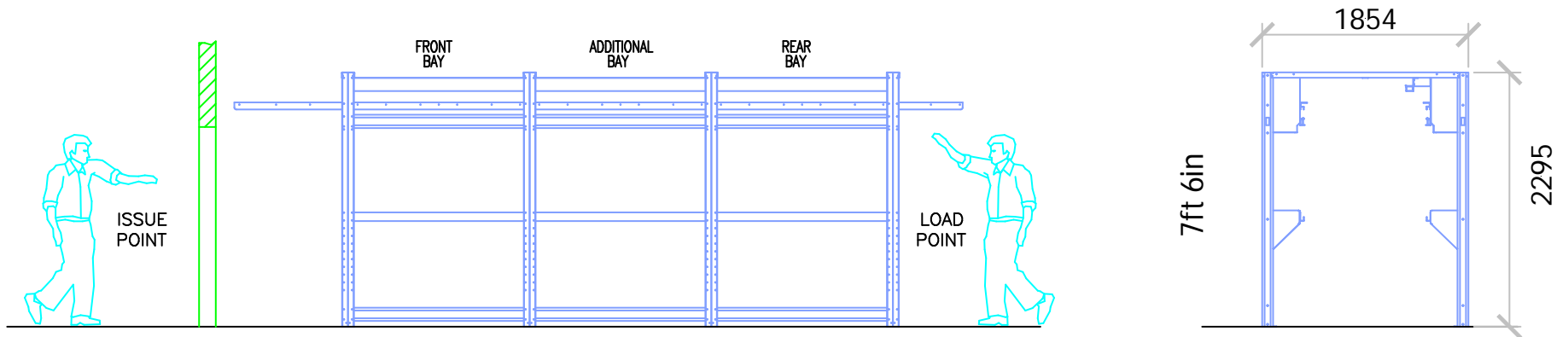


Model No.	MK9
Power	110/220v
Data	One Data Port
Mounting	Floor
Manufacturer	Autovalet



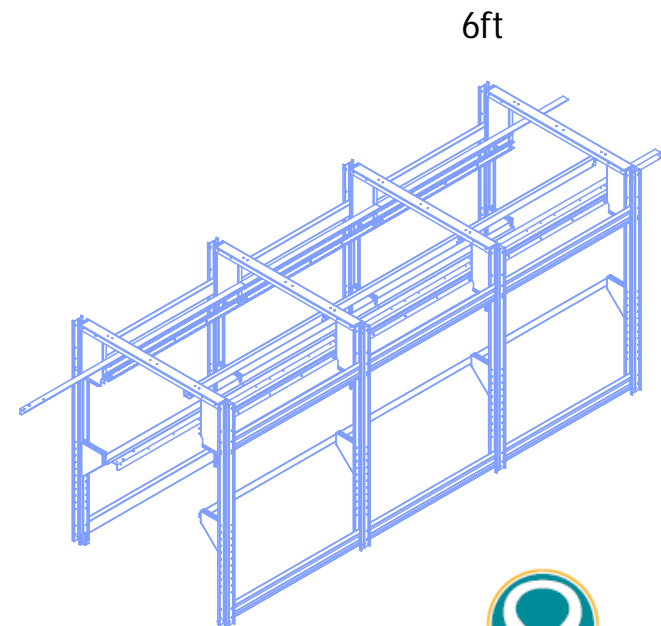
Autovalet MK

autovalet



Autovalet MK machine

- 110/220v single phase supply – 15amp circuit – to be located behind Issue Point at height of 1800 from floor
- One property data network outlet to be provided alongside electrical supply
- MK machine is programmed by Dress Code software
- Equipment is entirely floor-mounted
- No air compressor is required
- No user access door is required



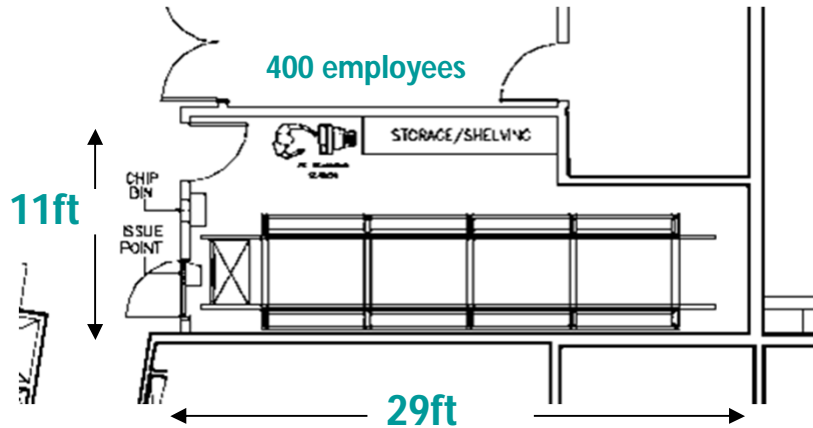
autovaletsystems.com



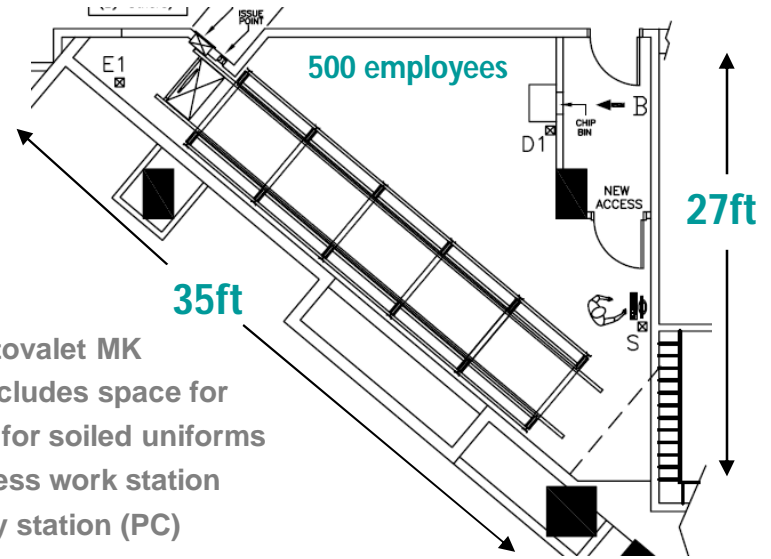
MK System – Typical layouts

autovalet

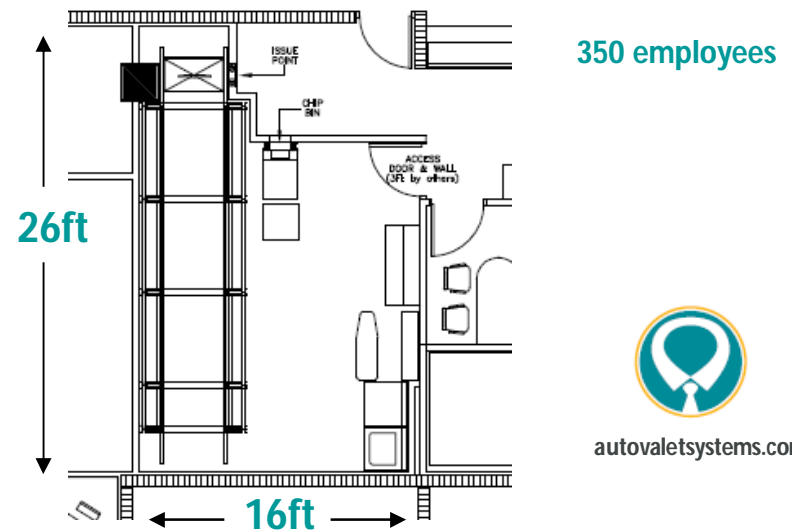
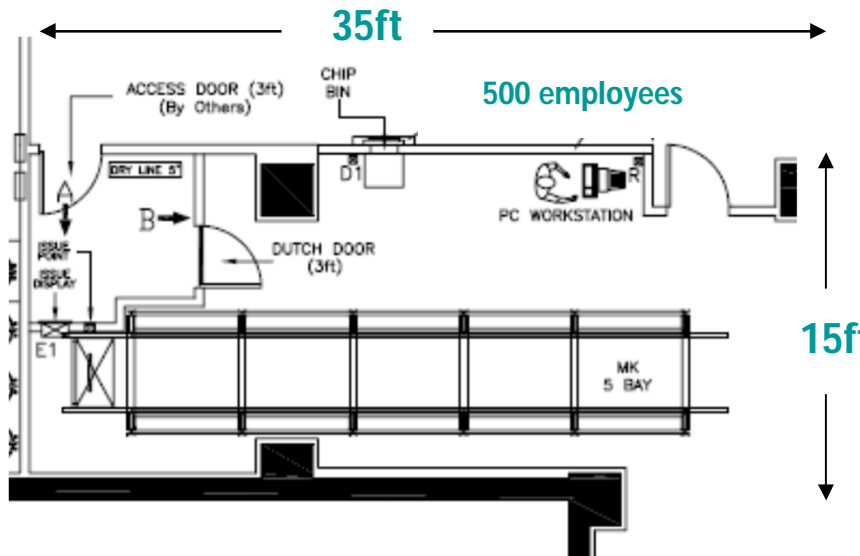
An Autovalet MK works for any number of employees and any room



User access to MK can be from the side (below) or end (above)



- Each Autovalet MK layout includes space for
- Chip bin for soiled uniforms
 - Seamstress work station
 - Inventory station (PC)



autovaletsystems.com